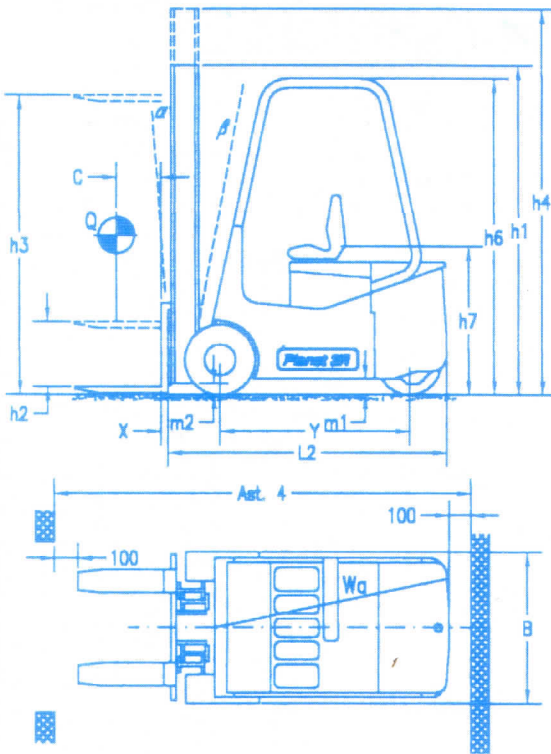




Planet Series

312

MAST OVERALL DIMENSIONS



TYPE OF MAST	H3	H1	H2	H4
DUPLEX FULL VISIBILITY	3300	2190	100	3765
	3600	2340	100	4065
	4000	2540	100	4565
	4500	2780	100	4965
	5000	3080	100	5520
DUPLEX FULL FREE LIFT	2900	1985	1405	3365
	3300	2185	1605	3765
	3600	2285	1705	4135
	4000	2485	1905	4535
TRIPLEX FULL FREE LIFT	4400	1940	1360	4830
	4800	2090	1510	5230
	5200	2240	1660	5630
	5600	2390	1810	6030
	6000	2540	1960	6530

Planet 312 - REST CAPACITY											
load centre (mm)	duplex full visibility - duplex full free lift						triplex full free lift mast				
	2900	3300	3600	4000	4500	5000	4400	4800	5200	5600	6000
500	1200	1200	1100	1000	920	800	900	840	780	730	680
600	1070	1070	980	890	820	715	800	750	700	650	600
750	920	920	850	770	705	615	690	650	600	560	520
1000	750	750	680	625	575	500	560	525	485	450	425

Rest capacity with integrated side shifter = -50 Kg



Planet Series 312

features	01	Manufacturer			Nuova C.T.C s.r.l.		
	02	Model			PL 312		
	03	Capacity	Q	Rated load	Kg	1200	
	04	Load centre	C	Distance	mm	500	
	05	Motor type		Electric (Battery)		ELECTRIC	
	06	Driving position		Operator: standing - sitting - walking		SITTING	
	07	Tyres		C=Cushion SE=Superelast. P=Pneumatic		P.SE.C./C.	
	08	Wheels (X=driving wheels)		Number front / rear		2/1X	
dimensions	09	Lifting with duplex mast	h3	Standard lifting	mm	3300	
	10		h2	Normal free lift	mm	100	
	11		h5	Full free lift	mm	/	
	12	Standard forks		Length x Width x Thickness - L x W x T mm		1000X100X35	
	13	Forks carrier		FEM standards complying		FEM II A	
	14	Tilting		Forward (α) / Backwards (β)		3°/8°	
	15	Dimensions	L2	Overall length w/out forks	mm	1520	
	16		B	Overall width	mm	940	
	17		h1	Min. height with closed mast	mm	2190	
	18		h4	Max. height with raised mast	mm	3765	
	19		h6	Height of headguard	mm	1975	
	20		h7	Height of the seat	mm	950	
	21	Turning radius	Wa	Outer	mm	1250	
22	Load distance	x	From forks to front wheels axle	mm	330*		
23	Gangway width	Ast.4	Pallets 800x1200 / <u>1200x1200</u>	mm	2580/2980		
perform.	24	Stability		FEM standards		YES	
	25	Drive speed		With / without load	Km/h	11/12	
	26	Lifting speed		With / without load	m/s	0,18/0,26	
	27	Lowering speed		With / without load	m/s	0,60/0,40	
	28	Max. towing capacity		Without load		Kg	300
	29	Max. gradeability		With / without load		%	10/13
wgt	30	Weight with battery		Standard lifting mast	Kg	2450	
	31	Axle load - laden		Front / rear axle	Kg	3100/550	
		Axle load - unladen		Front / rear axle	Kg	1050/1400	
chassis	32	Wheels		Number: front / rear	N.	2/1	
	33			Size: front		16X6-8	
	34			Size: rear		413X152X286	
	35	Wheel base	Y		mm	970	
	36	Track		Front wheels axle	mm	780	
	37	Ground clearance		m2	Minimum	mm	55
	38			m1	Wheel base axle	mm	90
	39	Brakes		Pedal service brake		HYDRAULIC	
				Hand parking brake		MECHANIC	
	drive unit	41	Battery		Type		TUBULAR
Tension / capacity					V/Ah	48/300	
Minimum weight					Kg	550	
42		Electric motors		Driving, S2 power	KW	6	
				Lifting, S3 25% power	KW	5,5	
43		Steering		Type		HYDRAULIC	
44		Transmission		Type		MOSFET	
45		Hydraulic system		Max. pressure	bar	150	

*With integral side shifter = + 30 mm.

For modifications and improvements, the above data are not binding.