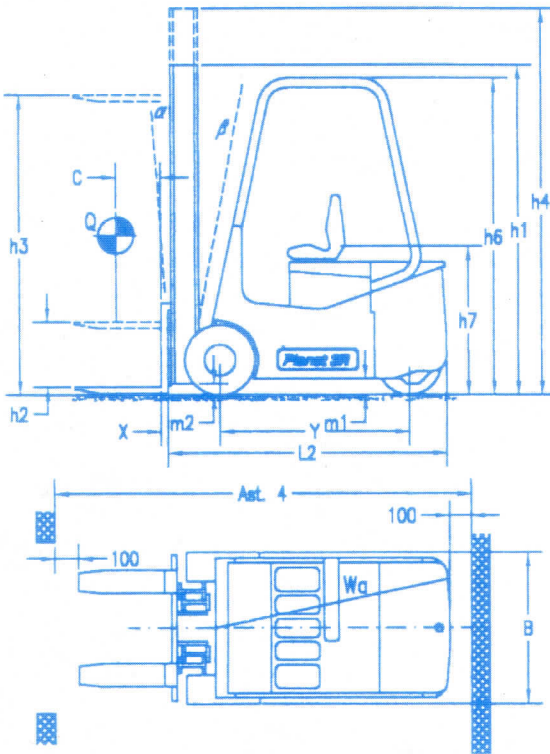




Planet Series

313 - 315

MAST OVERALL DIMENSIONS



TYPE OF MAST	H3	H1	H2	H4
DUPLEX FULL VISIBILITY	3300	2190	100	3775
	3600	2340*	100	4075
	4000	2540	100	4475
	4500	2790	100	4975
	5000	3090	100	5475
DUPLEX FULL FREE LIFT	2900	1915	1450	3470
	3300	2125	1640	3900
	3600	2319	1745	4123
	4000	2507	1932	4498
TRIPLEX FULL FREE LIFT	4400	2010	1465	4930
	4800	2145	1580	5330
	5200	2275	1730	5730
	5600	2410	1870	6130
	6000	2540	1990	6530

Planet 313 - REST CAPACITY

load centre (mm)	duplex full visibility - duplex full free lift mast						triplex full free lift mast				
	2900	3300	3600	4000	4500	5000	4400	4800	5200	5600	6000
500	1300	1300	1250	1200	1100	950	970	900	830	780	730
600	1180	1180	1120	1070	970	850	870	810	750	700	650
750	1000	1000	960	920	850	730	770	710	660	620	570
1000	820	820	780	750	700	600	640	600	550	520	490

Planet 315 - REST CAPACITY

load centre (mm)	duplex full visibility - duplex full free lift mast						triplex full free lift mast				
	2900	3300	3600	4000	4500	5000	4400	4800	5200	5600	6000
500	1500	1500	1380	1320	1170	1020	1020	1000	950	900	850
600	1350	1350	1250	1200	1070	920	930	900	870	830	770
750	1150	1150	1080	1030	920	900	830	800	770	720	680
1000	930	930	850	800	750	650	750	700	660	620	590

Rest capacity with integrated side shifter = -50 Kg



Planet Series 313 - 315

features	01		Manufacturer		CTC			
	02		Model		PLANET 313	PLANET 315		
features	03	Capacity	Q	Rated load	Kg	1300	1500	
	04	Load centre	C	Distance	mm	500	500	
	05	Motor type		Electric (Battery)		ELECTRIC	ELECTRIC	
	06	Driving position		Operator: standing - sitting - walking		SITTING	SITTING	
	07	Tyres		C=Cushion SE=Superelast. P=Pneumatic		P.S.C./C.	P.S.C./C.	
	08	Wheels (X=drive wheel)		Number front / rear		2/1X	2/1X	
	dimensions	09	Lifting with duplex mast	h3	Standard lifting	mm	3300	3300
		10		h2	Normal free lift	mm	100	100
11		h5		Full free lift	mm	/	/	
12		Standard forks		Length x Width x Thickness - L x b x s		mm	1000X100X35	1000X100X35
13		Forks carrier		FEM rules complying		FEM II A	FEM II A	
14		Tilting		Forward (α) / Backwards (β)		3°/8°	3°/8°	
15		Dimensions	L2	Overall length w/out forks	mm	1720	1780	
16			B	Overall width	mm	940	940	
17			h1	Min. height with closed mast	mm	2190	2190	
18			h4	Max. height with raised mast	mm	3775	3775	
19			h6	Height of headguard	mm	1975	1975	
20			h7	Height of the seat	mm	950	950	
21			Turning radius	Wa	Outer	mm	1430	1480
22		Load distance	x	From forks to front wheel axle	mm	330	330	
23		Gangway width	Ast.4	Pallets 800x1200 / 1200x1200	mm	2760/3160	2810/3210	
perform.	24	Stability		FEM rules		YES	YES	
	25	Drive speed		With / without load		Km/h	12/14	12/14
	26	Lifting speed		With / without load		m/s	0,20/0,26	0,20/0,26
	27	Lowering speed		With / without load		m/s	0,60/0,40	0,60/0,40
	28	Max. towing capacity		Without load		Kg	480	480
	29	Max. gradeability		With / without load		%	11/16	11/16
wgt	30	Weight with battery		Standard lifting		Kg	2600	2650
	31	Axle load - laden		Front / rear axle		Kg	3300/540	3545/620
		Axle load - unladen		Front / rear axle		Kg	1080/1560	1075/1590
chassis	32	Wheels	Number: front / rear		N.	2/1	2/1	
	33		Size: front			18X7X8	18X7X8	
	34		Size: rear			413X152X286	413X152X286	
	35	Wheel base	Y		mm	1170	1230	
	36	Track		Front wheels centre		mm	780	780
	37	Ground clearance	m2	Minimum	mm	55	55	
	38		m1	Wheel base centre	mm	90	90	
	39	Brakes		Pedal service brake			HYDRAULIC	HYDRAULIC
	40			Hand parking brake			MECHANIC	MECHANIC
drive unit	41	Battery	Type			TUBULAR	TUBULAR	
	42		Tension / capacity		V/Ah	48/330	48/440	
	43		Minimum weight		Kg	700	820	
	44	Electric motors	Traction, S2 power		KW	6	6	
	45		Lifting, S3 25% power		KW	5,5	5,5	
	46	Steering		Type			HYDRAULIC	HYDRAULIC
	47	Transmission		Type			MOSFET	MOSFET
	48	Hydraulic system		Max. pressure		bar	150	150

For modifications and improvements, the above data are not binding.